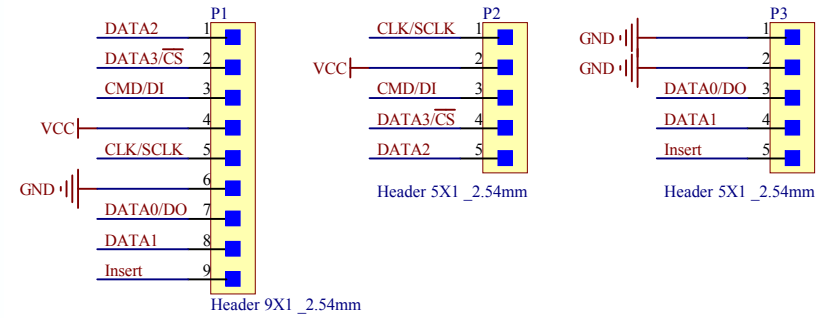
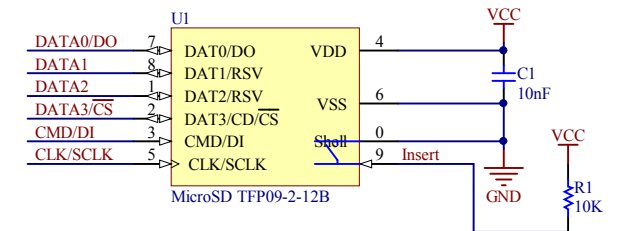


uSD-BO-V1A PCB Outline Drawing



uSD-BO-V1A Schematic Diagram

www.ElabGuy.com

Title		
uSD Breakout uSD-BO		Revision
Size	Number	1A
Date:	5/7/2010	Sheet of
File:	C:\Projects\..uSD BO V1A view.SchDoc	Drawn By: www.ElabGuy.com